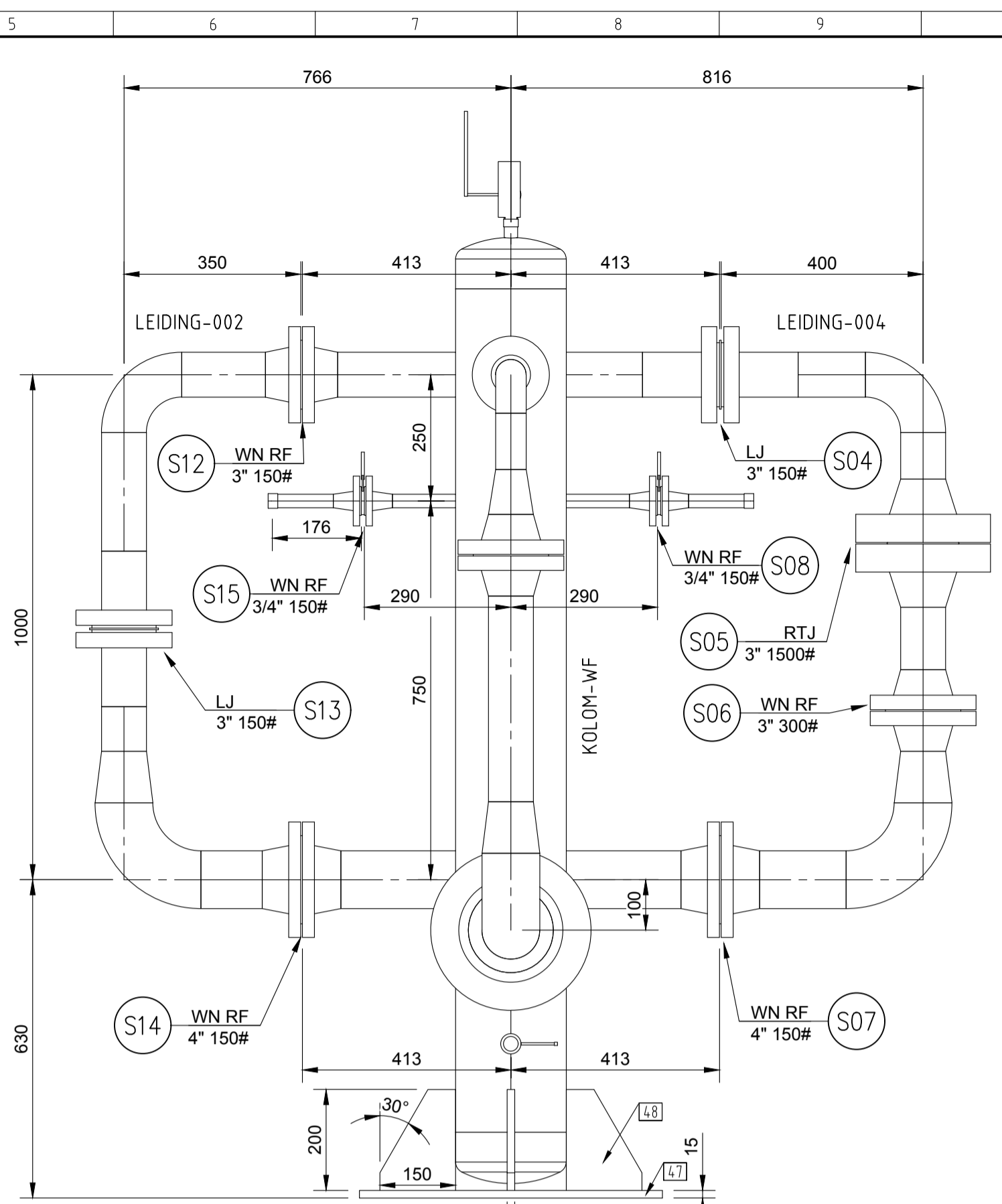
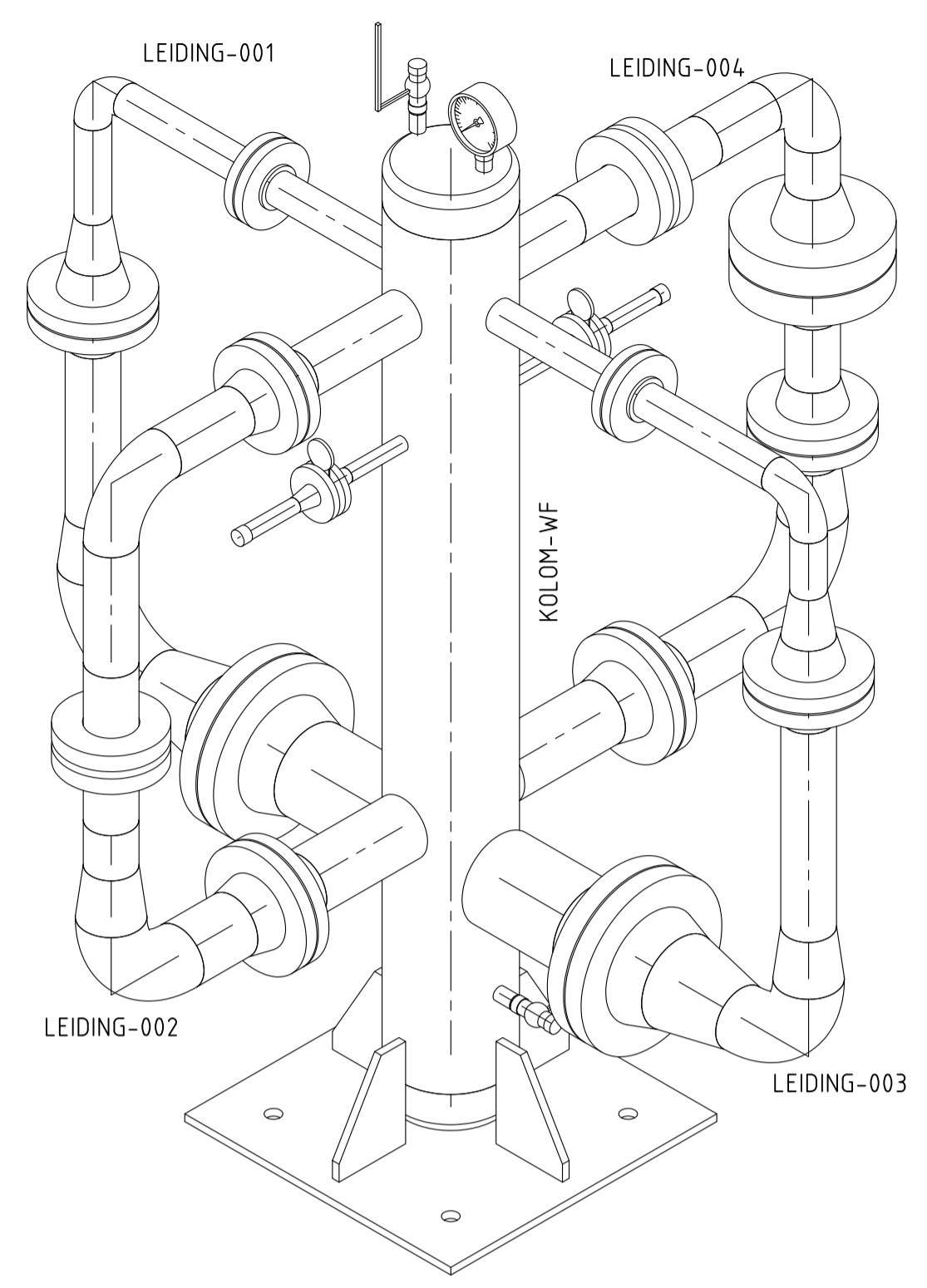
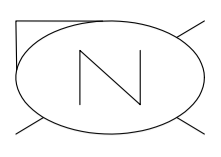


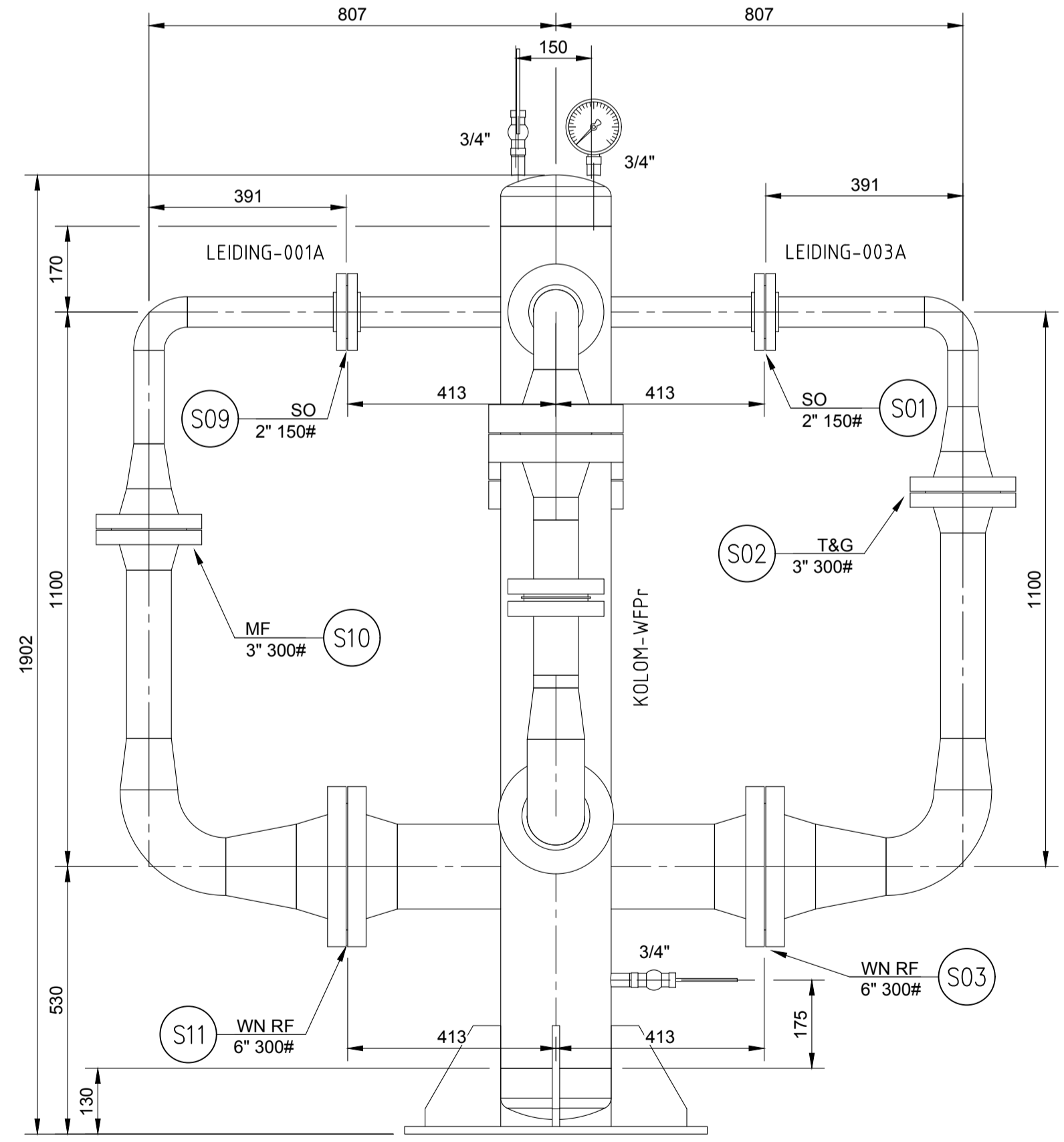
LINKER ZIJAAZICHT



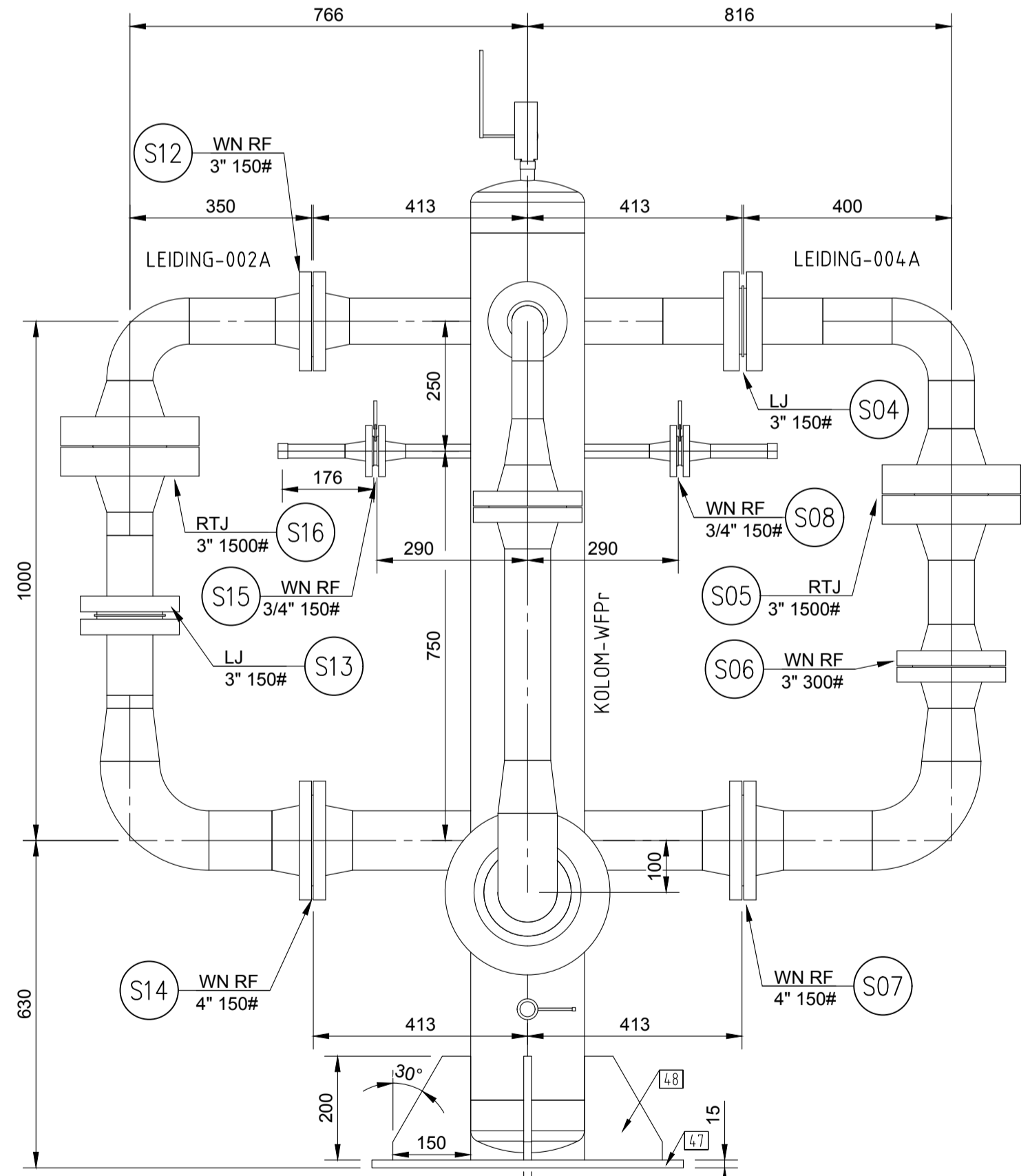
VOORAANZICHT



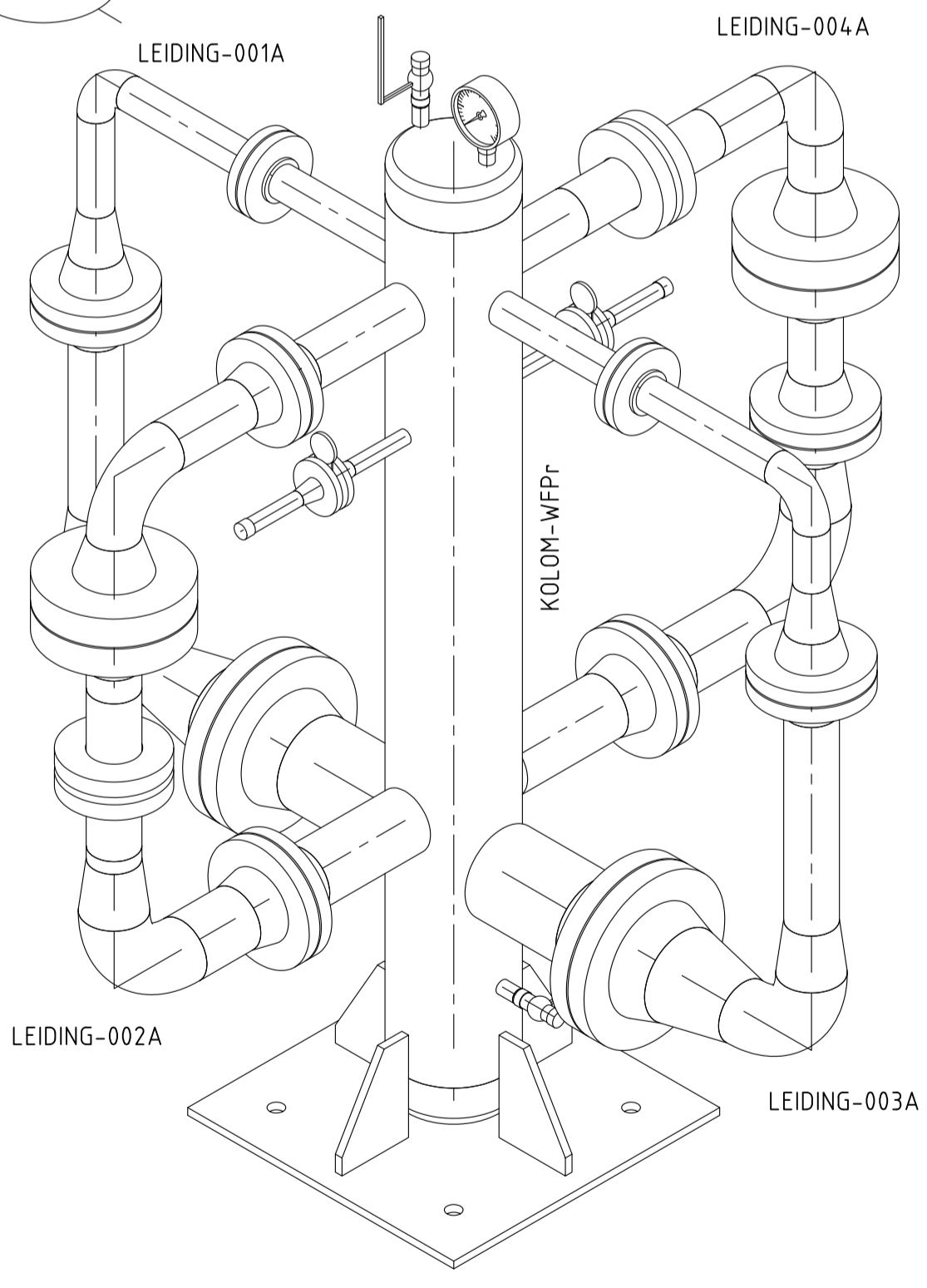
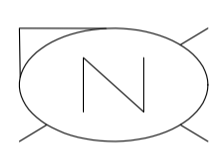
KOLOM-WF



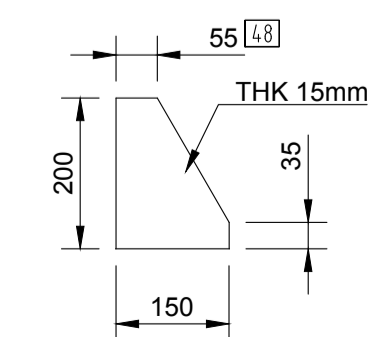
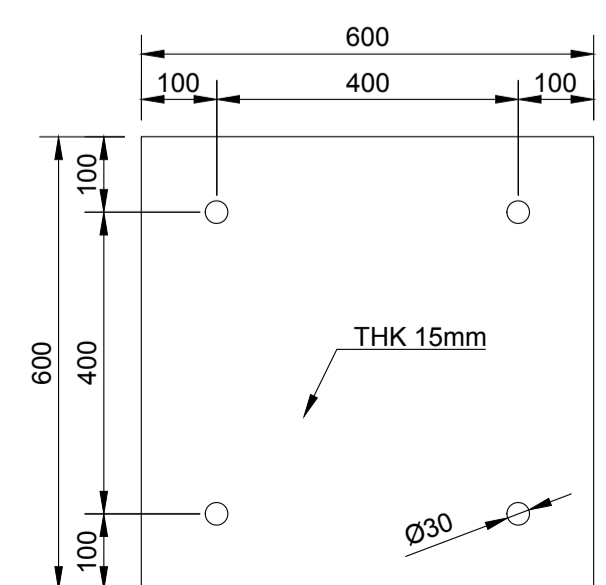
LINKER ZIJAAZICHT



VOORAANZICHT



KOLOM-WFPr



POS. nrs. VERWIJZEN NAAR
DWG. 26022010-01 BLAD 2

POS NR.	Description	Material	Nom. dia	Quantity KOLOM-WF	Quantity KOLOM-WFPr
Category: Pipe					
1	PIPE WLD 2" SCH.40	ASTM A53-B	50 mm	1516	1516
2	PIPE WLD 3" SCH.40	ASTM A53-B	80 mm	1963	1710
3	PIPE WLD 3/4" SCH.80	ASTM A53-B	20 mm	496	496
4	PIPE WLD 4" SCH.40	ASTM A53-B	100 mm	746	746
5	PIPE WLD 6" SCH.40	ASTM A53-B	150 mm	410	410
6	PIPE WLD 8" SCH.40	ASTM A53-B	200 mm	1670	1670
Category: Olet					
7	HALF COUPLING SW 3/4" 3000LBS	ASTM A105	200 mm	1	1
8	NIPPLE OEB OET 3/4" SCH.STD L=2" (50.8mm)	ASTM A106-B	200 mm	2	2
Category: Flanges					
9	FLANGE LAPJOINT 3" 150LBS	ASTM A105	80 mm	4	4
10	FLANGE M/F 3" 300LBS	ASTM A105	80 mm	2	2
11	FLANGE SLIP-ON 2" 150LBS RF	ASTM A105	50 mm	4	4
12	FLANGE T/G 3" 300LBS	ASTM A105	80 mm	2	2
13	WELDING NECK FLANGE 3" 1500LBS RTJ	ASTM A105	80 mm	2	2
14	WELDING NECK FLANGE 3" 150LBS RF	ASTM A105	80 mm	2	2
15	WELDING NECK FLANGE 3" 300LBS RF	ASTM A105	80 mm	2	2
16	WELDING NECK FLANGE 3/4" 150LBS RF	ASTM A105	20 mm	4	4
17	WELDING NECK FLANGE 4" 150LBS RF	ASTM A105	100 mm	4	4
18	WELDING NECK FLANGE 6" 300LBS RF	ASTM A105	150 mm	4	4
Category: Miscellaneous					
19	CAP BW 8" SCH.40	ASTM A234-WPB	200 mm	2	2
20	CAP SW 3/4" 3000LBS	ASTM A105	20 mm	2	2
21	SPECTACLE BLIND 3/4" 150LBS RF	ASTM A105	20 mm	2	2
Category: Fasteners					
22	GASKET FLAT 2" 150 LBS RF 1/8" (3.2mm) THK	LAM.GRAPHITE/SS FILLER	50 mm	2	2
23	GASKET FLAT 3" 150 LBS RF 1/8" (3.2mm) THK	LAM.GRAPHITE/SS FILLER	80 mm	3	3
24	GASKET FLAT 3" 300 LBS RF 1/8" (3.2mm) THK	LAM.GRAPHITE/SS FILLER	80 mm	1	1
25	GASKET FLAT 3/4" 150 LBS RF 1/8" (3.2mm) THK	LAM.GRAPHITE/SS FILLER	20 mm	4	4
26	GASKET FLAT 4" 150 LBS RF 1/8" (3.2mm) THK	LAM.GRAPHITE/SS FILLER	100 mm	2	2
27	GASKET FLAT 6" 300 LBS RF 1/8" (3.2mm) THK	LAM.GRAPHITE/SS FILLER	150 mm	2	2
28	GASKET RTJ OCTAGONAL 3" 1500LBS	SOFT IRON	80 mm	1	2
29	GASKET M/F FLAT 3" 300 LBS Ø127/Ø78 - 3,2 mm thk	LAM.GRAPHITE/SS FILLER	80 mm	1	1
30	STUB-END LONG PATTERN 3" SCH.40	ASTM A234-WPB	80 mm	4	4
31	STUD BOLT 1 1/8" X 177.8 - 8 PER SET	ASTM A193-B7/A194-2H	80 mm	8	16
32	STUD BOLT 1/2" X 76.2 - 4 PER SET	ASTM A193-B7/A194-2H	20 mm	8	8
33	STUD BOLT 3/4" X 107.95 - 8 PER SET	ASTM A193-B7/A194-2H	80 mm	24	24
34	STUD BOLT 3/4" X 120.65 - 12 PER SET	ASTM A193-B7/A194-2H	150 mm	24	24
35	STUD BOLT 5/8" X 101.6 - 4 PER SET	ASTM A193-B7/A194-2H	80 mm	8	8
36	STUD BOLT 5/8" X 82.55 - 4 PER SET	ASTM A193-B7/A194-2H	50 mm	8	8
37	STUD BOLT 5/8" X 88.9 - 4 PER SET	ASTM A193-B7/A194-2H	80 mm	4	4
38	STUD BOLT 5/8" X 88.9 - 8 PER SET	ASTM A193-B7/A194-2H	100 mm	16	16
39	GASKET TG FLAT 3" 300 LBS Ø117/Ø108 - 3,2mm thk	LAM.GRAPHITE/SS FILLER	80 mm	1	1
Category: Fittings					
40	CON. REDUCER BW WLD 3"x2" SCH.40	ASTM A234-WPB	80 mm	2	2
41	CON. REDUCER BW WLD 4"x3" SCH.40	ASTM A234-WPB	100 mm	4	4
42	CON. REDUCER BW WLD 6"x4" SCH.40	ASTM A234-WPB	150 mm	2	2
43	ELBOW BW WLD 90° LR 2" SCH.40	ASTM A234-WPB	50 mm	2	2
44	ELBOW BW WLD 90° LR 3" SCH.40	ASTM A234-WPB	80 mm	2	2
45	ELBOW BW WLD 90° LR 4" SCH.40	ASTM A234-WPB	100 mm	4	4
Category: Valves					
46	BALL VALVE, LONG PATTERN, 3/4" ND, 1500 LB, FPT, ASME B16.10, 2 3/5" LG		20 mm	2	2
Category: Plate					
47	Plate 600 X 600 X 15			1	1
48	Plate 200 X 150 X 15			4	4
49	Angor bolts M27			4	4

TESTMATERIAAL

Description	Material	Nom. dia	Quantity	FLANGE CONN.	LINE NUMB.
Category: Fasteners					
GASKET FLAT 2" 150 LBS RF 1/8" (3.2mm) THK	LAM.GRAPHITE/SS FILLER	50 mm	2	S09	L-001
GASKET FLAT 3" 150 LBS RF 1/8" (3.2mm) THK	LAM.GRAPHITE/SS FILLER	80 mm	2	S04	L-004
GASKET FLAT 3" 150 LBS RF 1/8" (3.2mm) THK	LAM.GRAPHITE/SS FILLER	80 mm	2	S12	L-002(A)
GASKET FLAT 2" 150 LBS RF 1/8" (3.2mm) THK	LAM.GRAPHITE/SS FILLER	80 mm	2	S01	L-003
GASKET FLAT 3" 150 LBS RF 1/8" (3.2mm) THK	LAM.GRAPHITE/SS FILLER	80 mm	2	S13	L-002(A)
GASKET FLAT 4" 150 LBS RF 1/8" (3.2mm) THK	LAM.GRAPHITE/SS FILLER	100 mm	2	S07	L-004
GASKET FLAT 4" 150 LBS RF 1/8" (3.2mm) THK	LAM.GRAPHITE/SS FILLER	100 mm	2	S14	L-002(A)
GASKET FLAT 6" 300 LBS RF 1/8" (3.2mm) THK	LAM.GRAPHITE/SS FILLER	150 mm	2	S03	L-003
GASKET FLAT 6" 300 LBS RF 1/8" (3.2mm) THK	LAM.GRAPHITE/SS FILLER	150 mm	2	S11	L-001
STUD BOLT 3/4" X 133.35 - 12 PER SET	ASTM A193-B7/A194-2H	150 mm	12	S03	L-003
STUD BOLT 3/4" X 133.35 - 12 PER SET	ASTM A193-B7/A194-2H	150 mm	12	S11	L-001
STUD BOLT 5/8" X 101.6 - 4 PER SET	ASTM A193-B7/A194-2H	80 mm	4	S04	L-004
STUD BOLT 5/8" X 101.6 - 4 PER SET	ASTM A193-B7/A194-2H	80 mm	4	S12	L-002(A)
STUD BOLT 5/8" X 107.95 - 8 PER SET	ASTM A193-B7/A194-2H	100 mm	8	S07	L-004
STUD BOLT 5/8" X 107.95 - 8 PER SET	ASTM A193-B7/A194-2H	100 mm	8	S14	L-002(A)
STUD BOLT 5/8" X 95.25 - 4 PER SET	ASTM A193-B7/A194-2H	80 mm	4	S01	L-003
STUD BOLT 5/8" X 114.3 - 4 PER SET	ASTM A193-B7/A194-2H	80 mm	4	S13	L-002(A)
STUD BOLT 5/8" X 95.25 - 4 PER SET	ASTM A193-B7/A194-2H	50 mm	4	S09	L-001
PADDLE BLIND 2" 150LBS RF (9.4mm)	ASTM A105	50 mm	1	S09	L-001
PADDLE BLIND 3" 150LBS RF (9.4mm)	ASTM A105	80 mm	1	S04	L-004
PADDLE BLIND 3" 150LBS RF (9.4mm)	ASTM A105	80 mm	1	S12	L-002(A)
PADDLE BLIND 2" 150LBS RF (9.4mm)	ASTM A105	80 mm	1	S01	L-003
PADDLE BLIND 3" 150LBS RF (9.4mm)	ASTM A105	80 mm	1	S13	L-002(A)
PADDLE BLIND 4" 150LBS RF (12.7mm)	ASTM A105	100 mm	1	S07	L-004
PADDLE BLIND 4" 150LBS RF (12.7mm)	ASTM A105	100 mm	1	S14	L-002(A)
PADDLE BLIND 6" 300LBS RF 5 mm	ASTM A105	150 mm	1	S03	L-003
PADDLE BLIND 6" 300LBS RF 5 mm	ASTM A105	150 mm	1	S11	L-001

C	TEKENING BIJGEWERKT	Get: DCR	Ctrl: BDR	De: 30-11-2015
B	TEKENING BIJGEWERKT	Get: JVO	Ctrl: BDR	De: 12-10-2015
A	STEKER S10 VERWIJDERD	Get: JGR	Ctrl: REA	De: 05-08-2010
PRAKTIJKOPSTELLING CURSUS ONTWIKKELINGSTRAJECT WERKEN AAN FLENSVERBINDINGEN (WF EN WFPPr)				
Samenstelling: MSI Ctrl: REA De: 2-02-2012				
SAMENSTEL TEKENING KOLOM-WF KOLOM-WFPr				
Schaal: 1:10 Bestand: EXAMENOPSTELLING-001_C				
Maximale Gebruiksdruk: 0,5 Bar(g)				
Service Lektest: MAX. 0,5 Bar(g)				
A1 Afmeting: Proj. number: ONTWIKKELINGSTRAJECT Tot. bladen: 2 Blad: 1 Doc. number: 26022010-01 Rev: C				

Save date: 30-11-2015 09:27
Print date: 30-11-2015 09:27
Path: G:\Pant3D_ontwikkelings\praktijkopstellingen\examens\TEKENING-001_C.dwg
User: CRONE, DAVID